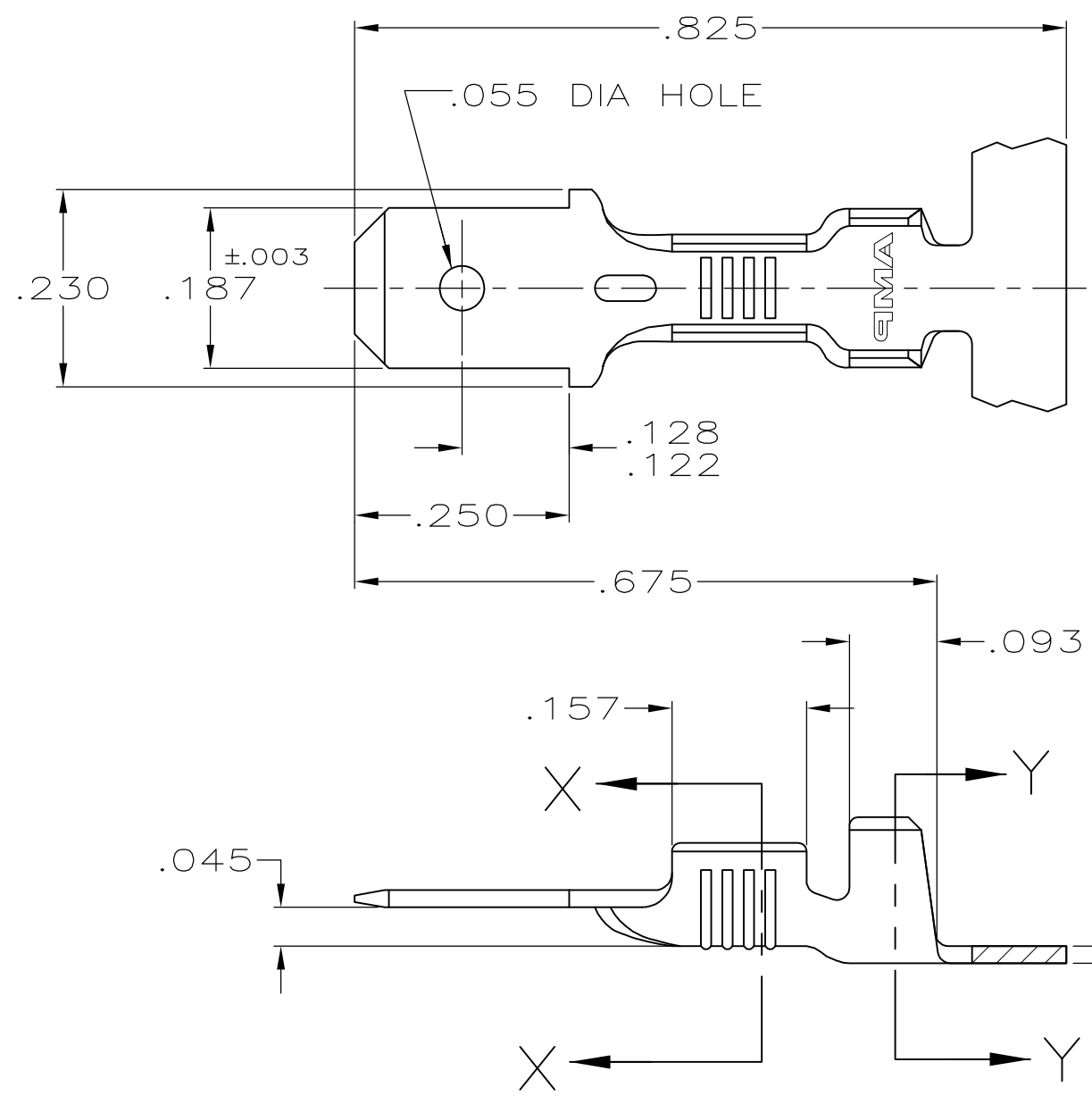
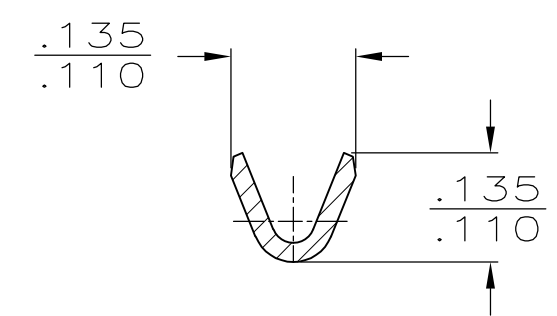


THIS DRAWING IS UNPUBLISHED. RELEASED FOR PUBLICATION  
 © COPYRIGHT - By - ALL RIGHTS RESERVED.

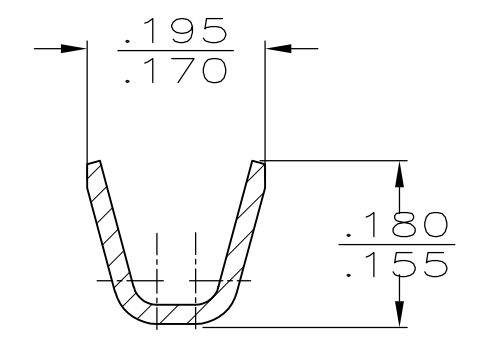
LOC	DIST	REVISIONS			
P	LTR	DESCRIPTION	DATE	DWN	APVD
AF	50	M	REVISED PER ECR-13-011489	06DEC2013	KH PD



- 1 CONTINUOUS STRIP ON REELS.
- △ 2 REVERSE REELING.
- 3 FEED TO BE .440±.003.
- △ 4 PRELIMINARY - NOT FOR PRODUCTION.



SECTION X-X



SECTION Y-Y

FINISH / MATERIAL	INSULATION RANGE	WIRE SIZE	PART NO
.000150 MIN SILVER / BRASS	.080-.120 DIA	22-18 AWG	△ 4 42490-6 △ 2
.000150 MIN NICKEL / STEEL			△ 4 42490-5
-			△ 2 42490-4
TIN / BRASS			△ 2 42490-3
OBSOLETE			42490-2
OBSOLETE			42490-1

THIS DRAWING IS A CONTROLLED DOCUMENT.		DWN JR RUTH 1/31/91	TE Connectivity NAME TAB, FASTON, .187 SERIES		
DIMENSIONS: INCHES		CHK MS FEHER 1/31/91			
TOLERANCES UNLESS OTHERWISE SPECIFIED:		APVD C MEYERS 1/31/91	RESTRICTED TO		
0 PLC ± - 1 PLC ± - 2 PLC ± - 3 PLC ± .015 4 PLC ± - ANGLES ± -		PRODUCT SPEC	SIZE	CAGE CODE	DRAWING NO
MATERIAL SEE TABLE		APPLICATION SPEC	A3	00779	C-42490
FINISH SEE TABLE		WEIGHT -	SCALE 5:1		SHEET 1 OF 1
CUSTOMER DRAWING			REV M		